

KFC-466E

SERVICE MANUAL

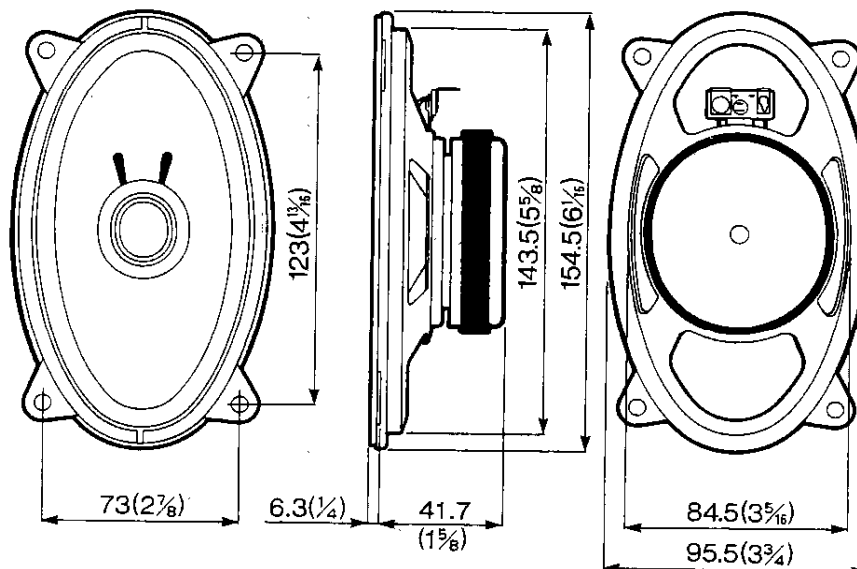
KENWOOD

K.C.

COPY

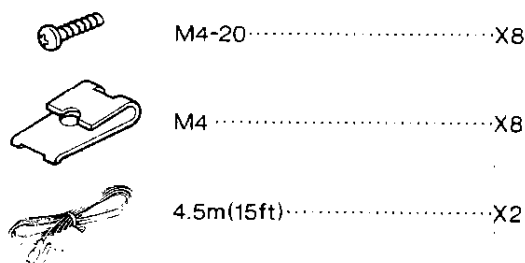
©1989-3 PRINTED IN JAPAN
B51-6014-00(T)1110

EXTERNAL VIEW



UNIT: mm (inch)

PARTS INCLUDED



PARTS LIST

★ New parts

Parts without **Parts No.** are not supplied.

Les articles non mentionnés dans le **Parts No.** ne sont pas fournis.

Teile ohne **Parts No.** werden nicht geliefert.

Ref No.	New Parts	Parts No.	Description
		B46-0100-10	WARRANTY CARD
	★	E30-1187-08	CORD SET
	★	N99-1051-08	SCREW SET
	★	T07-0154-08	SPEAKER

SPECIFICATIONS

Speaker	4" x 6" dual cone type
	154g (5.4oz) magnet
Peak power	35 watts
Frequency Response	70Hz ~ 20,000Hz
Sensitivity	90dB/W at 1m
Impedance	4 ohms
Weight per speaker	0.5kg (1 lb 2 oz)/pc.

(KENWOOD follows a policy of continuous advancements in development. For this reason specifications may be changed without notice.)

KENWOOD CORPORATION

Shonogi-Shibuya Building 17-5, 2-chome Shibuya Shibuya-ku Tokyo 150 Japan

KENWOOD U.S.A. CORPORATION
2201 East Dominguez Street Long Beach CA 90810
550 Clark Drive Mount Olive NJ 07828 U.S.A.

KENWOOD ELECTRONICS CANADA INC
P.O. Box 1075 959 Gana Court Mississauga Ontario Canada L4T 4C2

KENWOOD ELECTRONICS BENELUX N.V.
Machelsesteenweg 418 B-1830 Zaventem Belgium

KENWOOD ELECTRONICS DEUTSCHLAND GMBH
Rembrucker-Str. 15, 8056 Hausenstamm West Germany

TRIO-KENWOOD FRANCE S.A.
Hi-Fi-VIDEO-CAR Hi-Fi
13 Boulevard Ney 75018 Paris France

TRIO-KENWOOD U.K. LTD.
17 Bristol Road The Metropolitan Centre Greenford Middx UB6 8UP England

KENWOOD ELECTRONICS AUSTRALIA PTY. LTD.
4E Woodcock Place Lane Cove N.S.W. 2066 Australia

KENWOOD & LEE ELECTRONICS LTD.
Wang Kee Building 4th Floor 34-37 Connaught Road Central Hong Kong